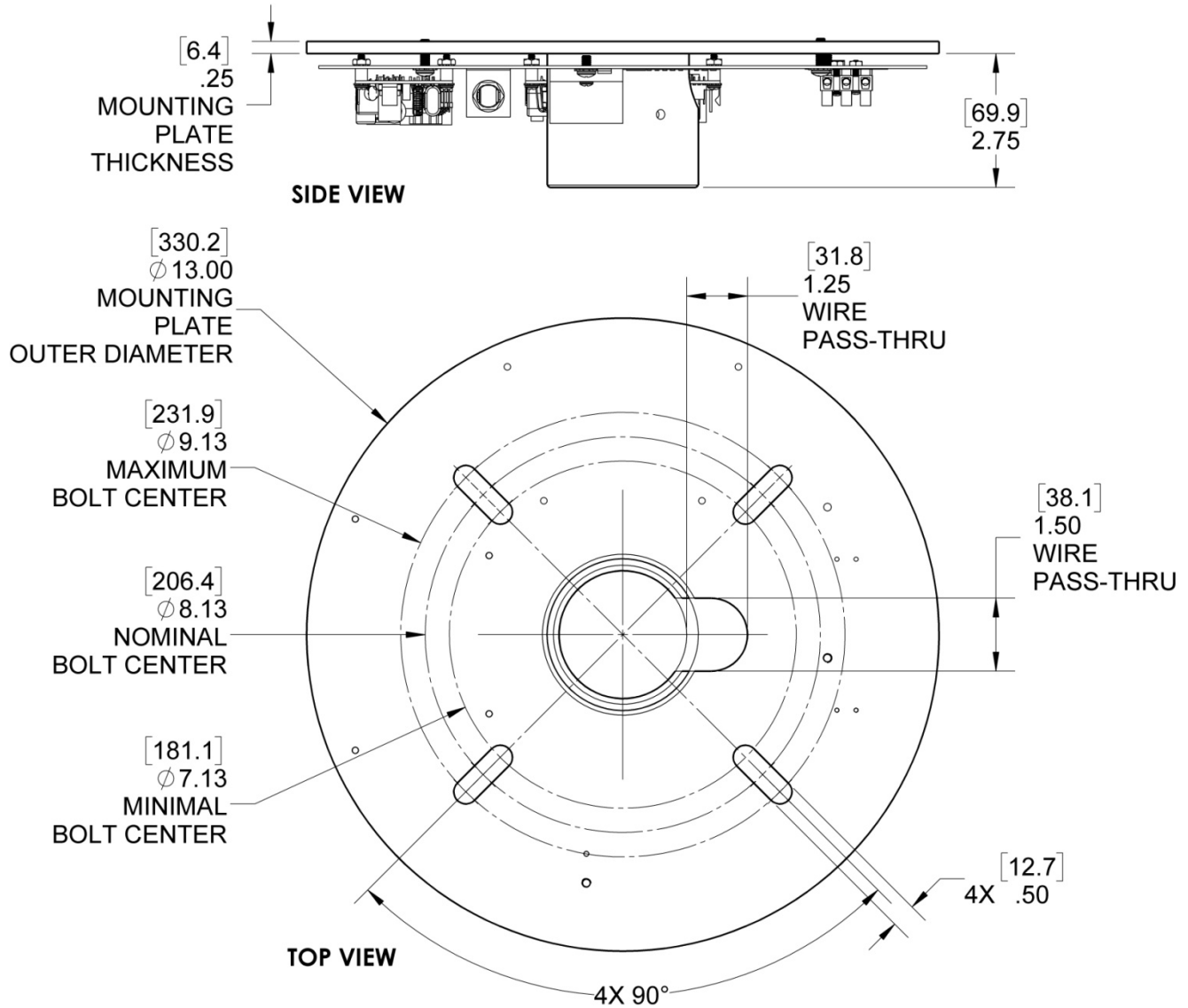


Ceiling Structure Construction and Mounting

⚠ Improper fastening of the ceiling casting can cause serious injury and/or property damage.

- Mount the Ceiling casting to the ceiling structure using four $\frac{3}{8}$ " DIA Grade-8 bolts with nuts and washers as shown in Figure 3.



Mounting Dimensions for Ceiling Mount

