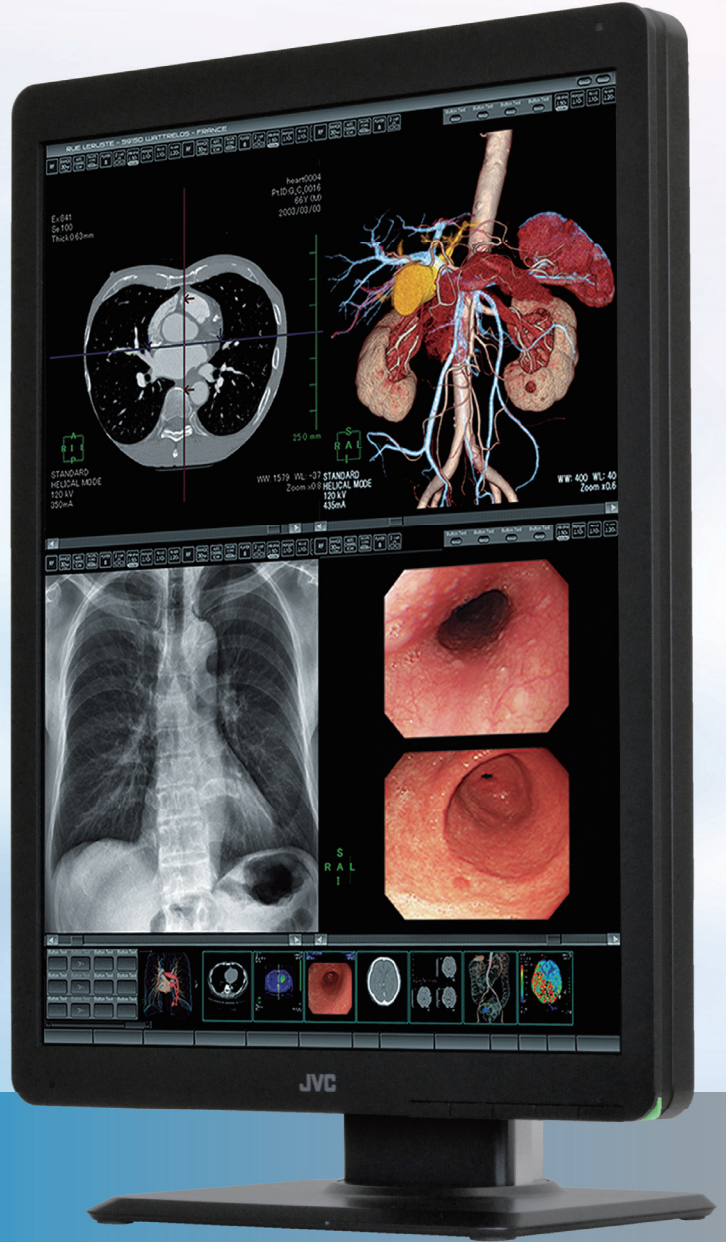


# JVC

2 Megapixel 21.3" Color Monitor

# CL-R211



## 2 Megapixel Color Monitor

Premium design and high cost effective  
2MP color monitor in pursuit of enhanced functions

21.3"

500  
cd/m<sup>2</sup>

1800:1

16Bit  
LUT

DisplayPort  
&  
DVI-D

Calibration  
Function

Color  
Front  
Sensor

Uniformity  
Equalizer

Dynamic  
Gamma

Auto  
Text  
Mode

DisplayPort  
Daisy  
Chains

Human  
Presence  
Sensor

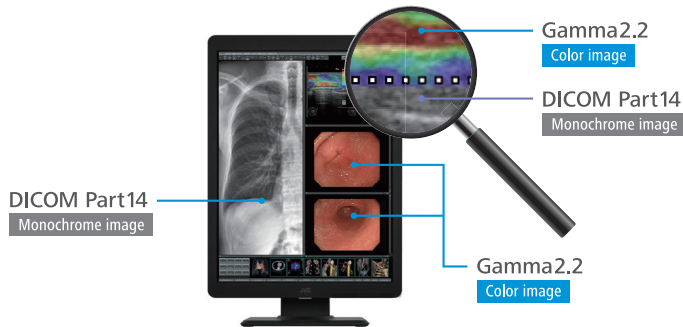
LED  
Backlight

# CL-R211

2 Megapixel  
Color Monitor

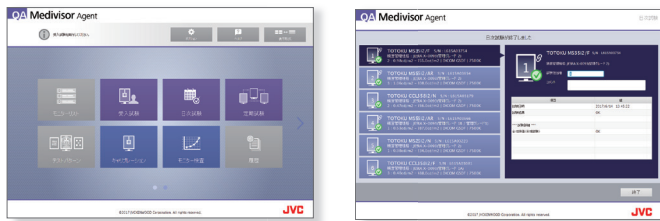
## Dynamic Gamma

Color Images are automatically recognized to provide optimized contrast, brightness and gamma. No user intervention is required.



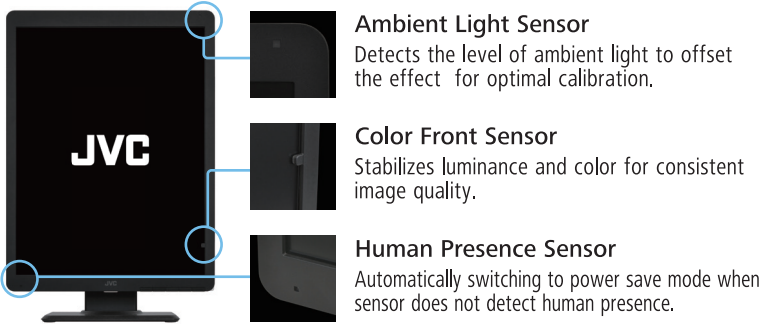
## Integrated QA Solution QA Medivisor Agent (Option)

QA Medivisor Agent providing calibration and QA standard testing capabilities through an intuitive and easy to navigate user interface makes it effective to manage day-to-day operation in the radiology department. Simplified calibration scheduling tool QA Medivisor Agent LE is included.



\* Optional calibration kit CAL-016 is required for standard QA testing.

## Built-in Sensor



## Space Saving

The new design of the CL-R211 reduces 25% of the stand footprint compared to the conventional models.

## DisplayPort Daisy Chains

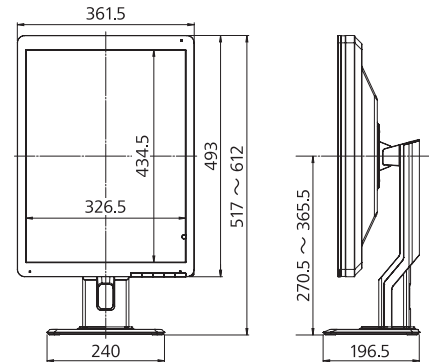
With the DisplayPort 1.2, the use of daisy chains allows for easier wiring connections.

●“JVC” is a brand of medical and industrial monitors manufactured and sold by JVC KENWOOD Corporation. ●Company names and product names are the registered trademarks of the respective companies. ●Product specifications and appearance are subject to change without notice. ●Colors in photographs may differ from actual colors due to the printing process. ●Images on screens are simulated.

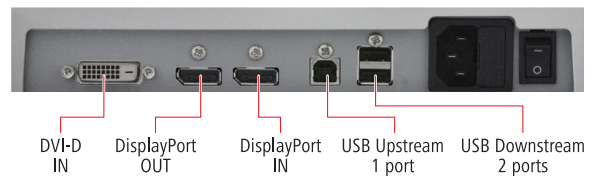
## Specifications

<b>Model Name</b>		CL-R211
<b>LCD Panel</b>	<b>Technology</b>	21.3" color TFT IPS technology
	<b>Display Area</b>	324 mm × 432 mm
	<b>Pixel Pitch</b>	0.270 mm × 0.270 mm
	<b>Contrast Ratio</b>	1800 : 1 (typ.)
	<b>Maximum Luminance</b>	500 cd/m <sup>2</sup> (typ.) 280 cd/m <sup>2</sup> · 250 cd/m <sup>2</sup> (calibrated)
<b>Visual Performance</b>	<b>Viewing Angle</b>	178° vertical and horizontal
	<b>Native Resolution</b>	1200 × 1600
<b>Interface</b>	<b>Input Signal</b>	DVI-D (DVI 1.0 compliant) DisplayPort (DisplayPort 1.2a compliant)
	<b>Output Signal</b>	DisplayPort (DisplayPort 1.2a compliant) (daisy chain)
<b>Input Power Supply</b>	<b>Plug and Play</b>	DDC2B compliant
	<b>Input Power Supply</b>	100 V - 240 V 50 / 60Hz
<b>Features</b>	<b>Maximum Power Consumption</b>	45 W (typ.)
	<b>Calibration Control</b>	Luminance, Gamma, Color temperature Capable of storing 3 sets of LUT (Optional Calibration Kit is required)
	<b>OSD Information Display</b>	Model name, Serial No., Total operating time, Calibration settings (Operating time since last calibration, Luminance, Gamma), Current luminance, Color temperature and Ambient light, DICOM conformance
	<b>USB Hub</b>	USB Rev.2.0 compliant, Self-powered USB upstream connector (×1), USB downstream connector (×2)
<b>Other Features</b>		Uniformity Equalizer, Hardware pivot, LED indicator, DisplayPort Daisy Chains, Advanced power management, Human Presence Sensor, Dynamic Gamma, Auto Text Mode, Luminance stabilization, Multiple LUT, Self DICOM check, Self-calibration
<b>Approvals</b>		ANSI/AAMI ES60601-1 (2005) + A1 (2012), CAN/CSA-C22.2 No.60601-1 (2014), CE (EN60601-1, EN60601-1-2), RCM, FCC Part15 subpart B Class B, ICES-003-B, VCCI-B, FDA510(k), J-Moss, RoHS
<b>Physical Characteristics</b>	<b>Dimensions (W × H × D)</b>	Landscape : 493 mm × 451.3 / 546.3 mm × 196.5 mm Portrait : 361.5 mm × 517 / 612 mm × 196.5 mm
	<b>Weight</b>	8.9 kg
	<b>Tilt Stand</b>	Tilt, Swivel, Portrait / Landscape
	<b>Mount</b>	VESA standard (100 mm × 100 mm)
<b>Security Slot</b>		Anti-theft security slot
<b>Accessories</b>		Power cord, DisplayPort cable, USB cable, Operation manual, Installation manual, Software (QA Medivisor Agent LE)

## Dimensions (mm)



## Interface



### Safety Precautions

- Please read the user's manual for safe and proper use.
- Do not expose the product to dust, moisture, steam, or oily smoke. It could cause fire, electric shock, or a failure.

Please contact our distributor below with inquiries and orders.

Healthcare Business Division  
JVC KENWOOD Corporation  
3-12, Moriya-cho, Kanagawa-ku, Yokohama-shi, Kanagawa, 221-0022, JAPAN  
TEL: +81-45-450-1908    FAX: +81-45-450-1926  
E mail : medical-display.j@jvckenwood.com  
JVC Healthcare Website : <http://healthcare.jvc.com/>