

JVC

2 Megapixel 21.3" Color Monitor

CL-S200

The gold standard in medical imaging



i3 for Medical Imaging
SERIES

21.3"

1000
cd/m²

1800:1

16Bit
LUT

DisplayPort
&
DVI-D

Calibration
Function

Color
Front
Sensor

Uniformity
Equalizer

Dynamic
Gamma

Auto
Text
Mode

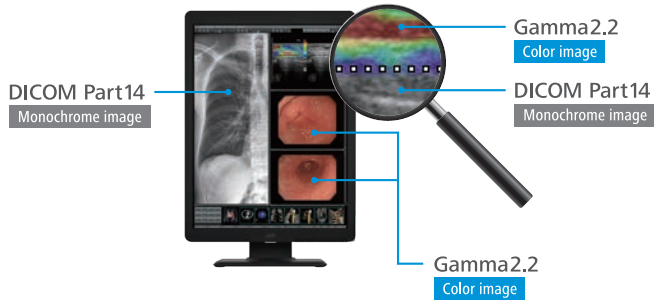
Human
Presence
Sensor

LED
Backlight

2 Megapixel 21.3" Color Monitor CL-S200

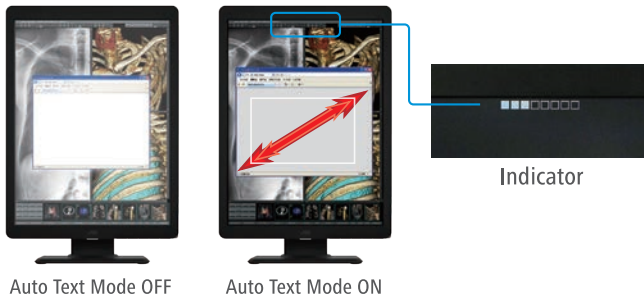
Dynamic Gamma

Color Images are automatically recognized to provide optimized contrast, brightness and gamma. No user intervention is required.



Auto Text Mode

Brightness is automatically adjusted on patient lists and reporting applications to reduce eye strain.



Integrated QA Solution **QA Medivisor Agent (Option)**

QA Medivisor Agent providing calibration and QA standard testing capabilities through an intuitive and easy to navigate user interface makes it effective to manage day-to-day operation in the radiology department. Simplified calibration scheduling tool QA Medivisor Agent LE is included.



*Optional calibration kit CAL-016 is required for standard QA testing.

Self-calibration

With the integrated color front sensor, the CL-S200 self-calibrates to the DICOM Part 14 Standard on a regular schedule.

•“JVC” is a brand of medical and industrial monitors manufactured and sold by JVCKENWOOD Corporation. •Company names and product names are the registered trademarks of the respective companies. •Product specifications and appearance are subject to change without notice. •Colors in photographs may differ from actual colors due to the printing process. •Images on screens are simulated.

Safety Precautions

- Please read the user's manual for safe and proper use.
- Do not expose the product to dust, moisture, steam, or oily smoke. It could cause fire, electric shock, or a failure.

Healthcare Business Division
JVCKENWOOD Corporation
3-12, Moriya-cho, Kanagawa-ku, Yokohama-shi,
Kanagawa, 221-0022, JAPAN
TEL : +81-45-450-1908 FAX : +81-45-450-1926
Email : medical-display.j@jvckenwood.com

▶ JVC Healthcare Website

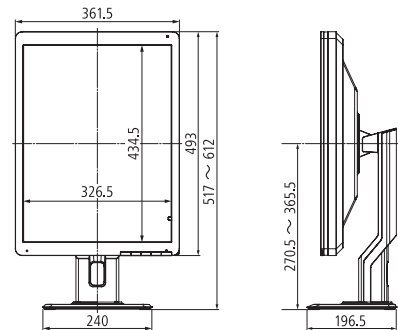


<http://healthcare.jvc.com/>

Specifications

Model Name		CL-S200
LCD Panel	Technology	21.3" color TFT IPS technology
	Display Area	324 mm × 432 mm
	Pixel Pitch	0.270 mm × 0.270 mm
	Contrast Ratio	1800 : 1 (typ.)
	Maximum Luminance	1000 cd/m ² (typ.) 410 cd/m ² / 500 cd/m ² (calibrated)
	Viewing Angle	178° vertical and horizontal
Visual Performance	Native Resolution	1200 × 1600
	Display Colors	16.77 million colors from a palette of 68 billion colors 1.07 billion colors with DisplayPort and 10-bit viewer
Interface	Input Signal	DVI-D (DVI 1.0 compliant) DisplayPort (DisplayPort 1.2a compliant)
	Output Signal	DisplayPort (DisplayPort 1.2a compliant)
	Plug and Play	DDC2B compliant
Input Power Supply	Input Power Supply	100 V - 240 V 50 / 60Hz
	Power Consumption	40 W (typ.)
Features	Calibration Control	Luminance, Gamma, Color temperature Capable of storing 3 sets of LUT (Optional Calibration Kit is required)
	OSD Information Display	Model name, Serial No., Total operating time, Calibration settings (Operating time since last calibration, Luminance, Gamma), Current luminance, Color temperature and Ambient light, DICOM conformance
	USB Hub	USB Rev.2.0 compliant, Self-powered USB upstream connector (x1), USB downstream connector (x2)
	Other Features	Uniformity Equalizer, Hardware pivot, LED indicator, Advanced power management, Human Presence Sensor, Dynamic Gamma, Auto Text Mode, Luminance stabilization, Multiple LUT, Self DICOM check, Self-calibration
Approvals		ANSI/AAMI ES60601-1 (2005) + A1 (2012), CAN/CSA-C22.2 No. 60601-1 (2014), CE (EN60601-1, EN60601-1-2), RCM, FCC Part15 subpart B Class B, ICES-003-B, VCCI-B, FDA510(k), J-Moss, RoHS, EAC <small>*Please contact JVC for latest information.</small>
Physical Characteristics	Dimensions (W × H × D)	Landscape : 493 mm × 451.3 / 546.3 mm × 196.5 mm Portrait : 361.5 mm × 517 / 612 mm × 196.5 mm
	Weight	approx. 9 kg
	Tilt Stand	Tilt, Swivel, Portrait / Landscape
	Mount	VESA standard (100 mm × 100 mm)
	Security Slot	Anti-theft security slot
Accessories		Power cord, DisplayPort cable, USB cable, Operation manual, Installation manual, Software (QA Medivisor Agent LE)

Dimensions (mm)



Options

Calibration Kit CAL-016

- Software
- Color Sensor



Please contact our distributor below with inquiries and orders.