

JVC

5 Megapixel 21.3" Color Dual Monitor CL-S500 Dualstand

The gold standard in medical imaging



i3 for Medical Imaging
SERIES



5MP

21.3"

1150
cd/m²

2000:1

DisplayPort
&
DVI-D

Calibration
Function

Color
Front
Sensor

Dynamic
Gamma

Uniformity
Equalizer

DisplayPort
Daisy
Chains

Human
Presence
Sensor

LED
Backlight

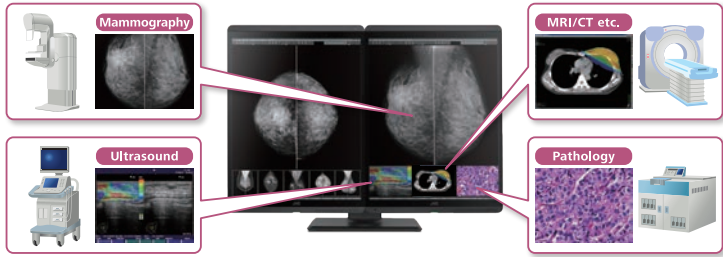
Reading
Light

Protective
Glass
Filter

5 Megapixel 21.3" Color Dual Monitor CL-S500 Dualstand

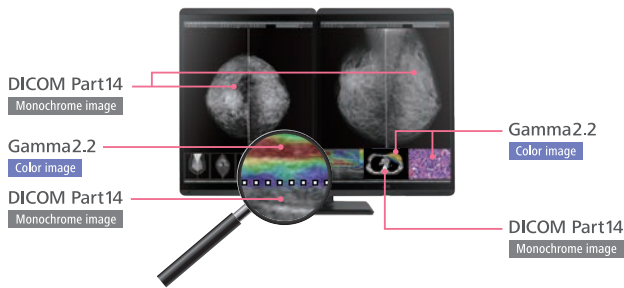
15MP color monitor for multi modality

CL-S500 Dualstand can accommodate images from any modality including Digital Mammography/Tomosynthesis, US, CT, MRI and pathology.



Dynamic Gamma

Color images are automatically recognized to provide optimized contrast, brightness and gamma. No user intervention is required.

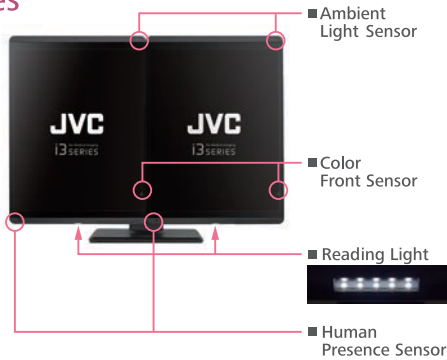


Auto Text Mode

Automatic brightness control for text data to reduce eye strain for patient lists and reporting application.

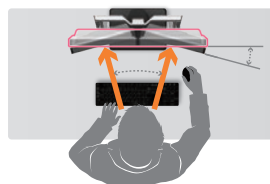
Advanced Features

- Protective Glass Filter
- Reading Light
- LED Indicator / Front Buttons
- Built-in Sensor
- Space Saving
- Wire Management / DisplayPort Daisy Chains
- DICOM Conformance Check



Position Adjustments Made Easy

The CL-S500 Dualstand integrates two 21.3" monitors into one set for a better ergonomic reading environment. The light dualstand allows users to adjust the height and angle of two monitors easily and finely.



• "JVC" is a brand of medical and industrial monitors manufactured and sold by JVCKENWOOD Corporation. • Company names and product names are the registered trademarks of the respective companies. • Product specifications and appearance are subject to change without notice. • Colors in photographs may differ from actual colors due to the printing process. • Images on screens are simulated.

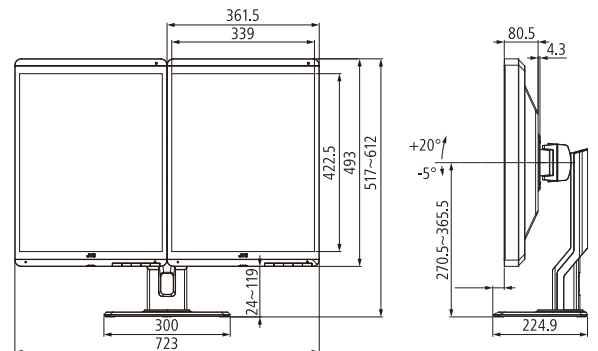
Specifications for single monitor

LCD Panel	Technology	21.3" color TFT IPS technology
	Display Area	337.9 mm × 422.4 mm
	Pixel Pitch	0.165 mm × 0.165 mm
	Maximum Luminance	1150 cd/m2 (typ.) 500 cd/m2 (calibrated)
	Contrast Ratio	2000 : 1 (typ.)
Visual Performance	Viewing Angle	178° vertical and horizontal
	Native Resolution	2048 × 2560
Interface	Display Colors	16.77 million colors 1.07 billion colors with DisplayPort and 10-bit viewer
	Input Signal	DVI-D (DVI 1.0 compliant) DisplayPort (DisplayPort 1.2a compliant)
Input Power Supply	Output Signal	DisplayPort (DisplayPort 1.2a compliant)
	Plug and Play	DDC2B compliant
Features	Input Power Supply	100 V - 240 V 50 / 60 Hz
	Power Consumption	35W (typ.)
Other Features	Calibration Control	Luminance, Gamma, Color temperature Capable of storing 3 sets of LUT (Optional Calibration Kit is required)
	OSD Information Display	Model name, Serial No., Total operating time, Calibration settings (Operating time since last calibration, Luminance, Gamma), Current Luminance, Color temperature and Ambient Light, DICOM conformance
	USB Hub	USB Rev.2 compliant, Self-powered USB upstream connector (×1), USB downstream connector (×2)
	Other Features	Uniformity Equalizer, Hardware pivot, LED indicator, Advanced power management, Human Presence Sensor, Dynamic Gamma, Auto Text Mode, Reading Light, Luminance stabilization, Multiple LUT, Self DICOM check, Self-calibration

CL-S500 Dualstand

Approvals	ANSI/AAMI ES60601-1 (2005) + A1 (2012), CAN/CSA-C22.2 No. 60601-1 (2014), CE (EN60601-1, EN60601-1-2), FCC Part15 subpart B Class B, ICES-003-B, VCCI-B, RCM, J-Moss, RoHS, EAC	
FDA	510(k) cleared to use for diagnostic purposes with digital medical images for Digital mammography PACS, Modalities including FFDm, and Breast tomosynthesis	
Physical Characteristics	Dimensions(W×H×D)	723 mm × 517-612 mm × 224.9 mm
	Weight	approx. 18.1 kg
Tilt Stand	Tilt, Swivel, Pan-tilt	
Accessories	Power cord × 2, DisplayPort cable × 2, USB cable × 2, Operation manual, Installation manual, Software (QA Medivisor Agent LE)	

Dimensions (mm)



Options

Calibration Kit CAL-016

- QA and calibration software [QA Medivisor Agent]
- Calibration sensor



Safety Precautions

- Please read the user's manual for safe and proper use.
- Do not expose the product to dust, moisture, steam, or oily smoke. It could cause fire, electric shock, or a failure.

Please contact our distributor below with inquiries and orders.

Healthcare Business Division
JVCKENWOOD Corporation
3-12, Moriya-cho, Kanagawa-ku, Yokohama-shi, Kanagawa, 221-0022, JAPAN
TEL: +81-45-450-1908 FAX: +81-45-450-1926
Email: medical-display.j@jvckenwood.com
JVC Healthcare Website: <http://healthcare.jvc.com/>